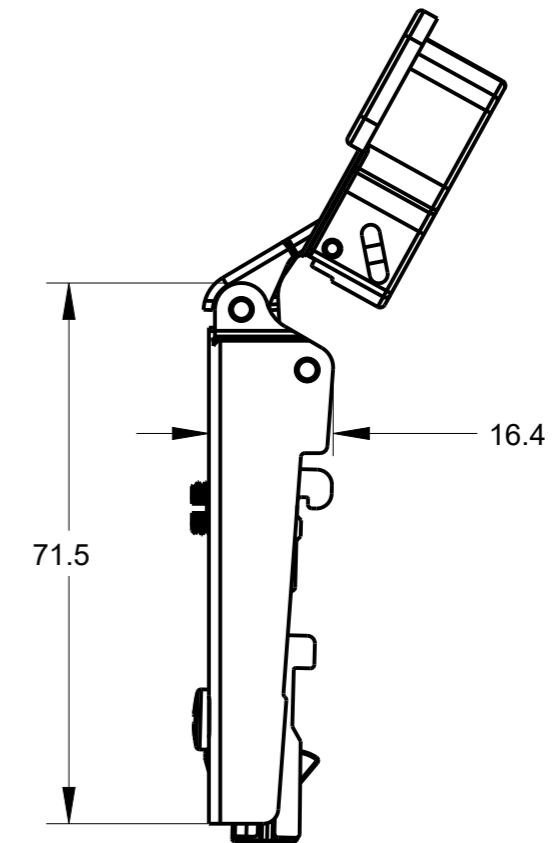
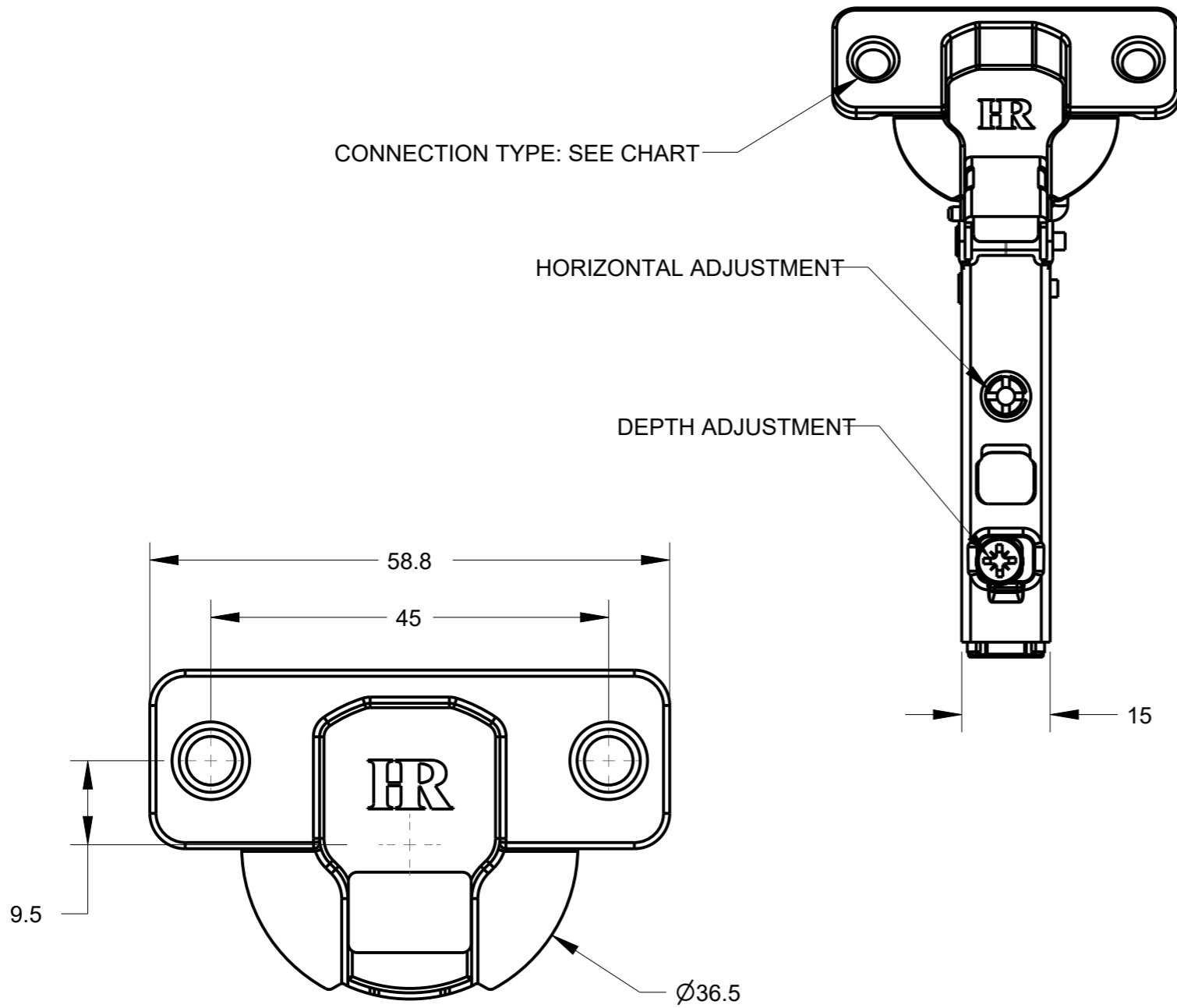


ITEM #	OPENING ANGLE	CRANK	CONNECTION TYPE
500.0U84	125	0	PRESS-IN DOWELS
500.0U85	125	0	NO DOWELS
500.0U86	125	0	EASY-FIX DOWELS



SCALE 1.500

THIRD ANGLE PROJECTION				
MATERIAL	FINISH	DESCRIPTION		
STEEL	ZINC			
DRAWN BY	DATE	HINGE, 500.0U84/0U85/0U86		
GREG DAVIS	19NOV2021			
DESIGNED BY	DATE	DRAWING		REV
N/A		500_0U84_0U85_0U86		A
APPROVED BY	DATE	SIZE	SCALE	SHEET
DENNIS MCGREGOR	22NOV2021	A3	1.000	1 / 1

DOCUMENT STATUS Released

HARDWARE RESOURCES RESERVES THE RIGHT TO CHANGE SPECIFICATIONS WITHOUT NOTICE. IN CASE OF A DISCREPANCY, ACTUAL PART GEOMETRY SUPERSEDES THIS DOCUMENT.

THE INFORMATION CONTAINED WITHIN THIS DRAWING IS THE SOLE PROPERTY OF HARDWARE RESOURCES INC. ANY REPRODUCTION IN PART OR WHOLE WITHOUT WRITTEN PERMISSION OF HARDWARE RESOURCES INC. IS PROHIBITED.